

Tiptonic Finger Pick

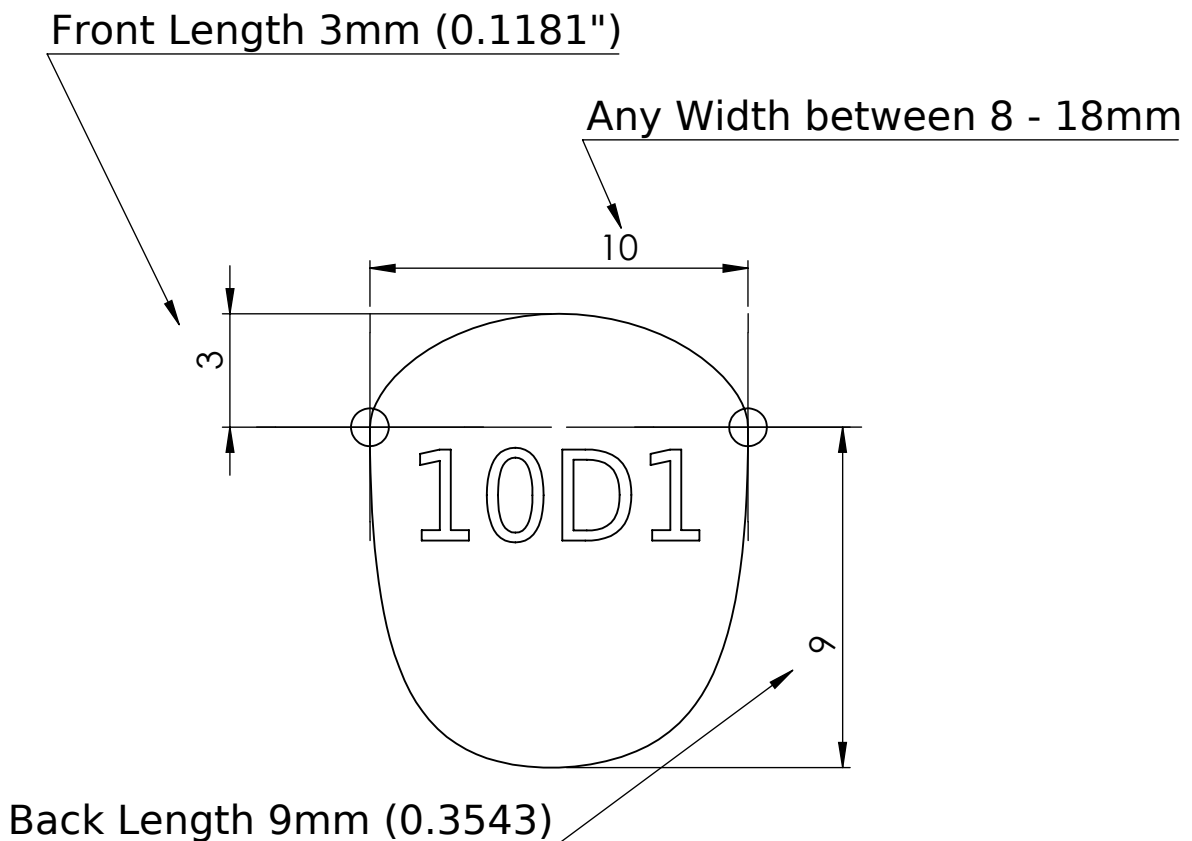
Shape: D

Front Length: 3mm

Back Length: 9mm

Total Pocket Length: 12mm

Width: 8 - 18mm



- This is the shape of the pocket that your nail fits into
- The Dots are the points on each side of your nail where it first leaves the nail bed and starts to overhang
- The Pick will ramp onto your nail and stop at these Dots
- The outside of the pick is 1.5mm longer than the pocket on the Front End
- Ideally, the Back Length of the Pick is about 1mm longer than your nail bed so you can file the pick to match