

Tiptonic Finger Pick

Shape: F

Front Length: 9mm

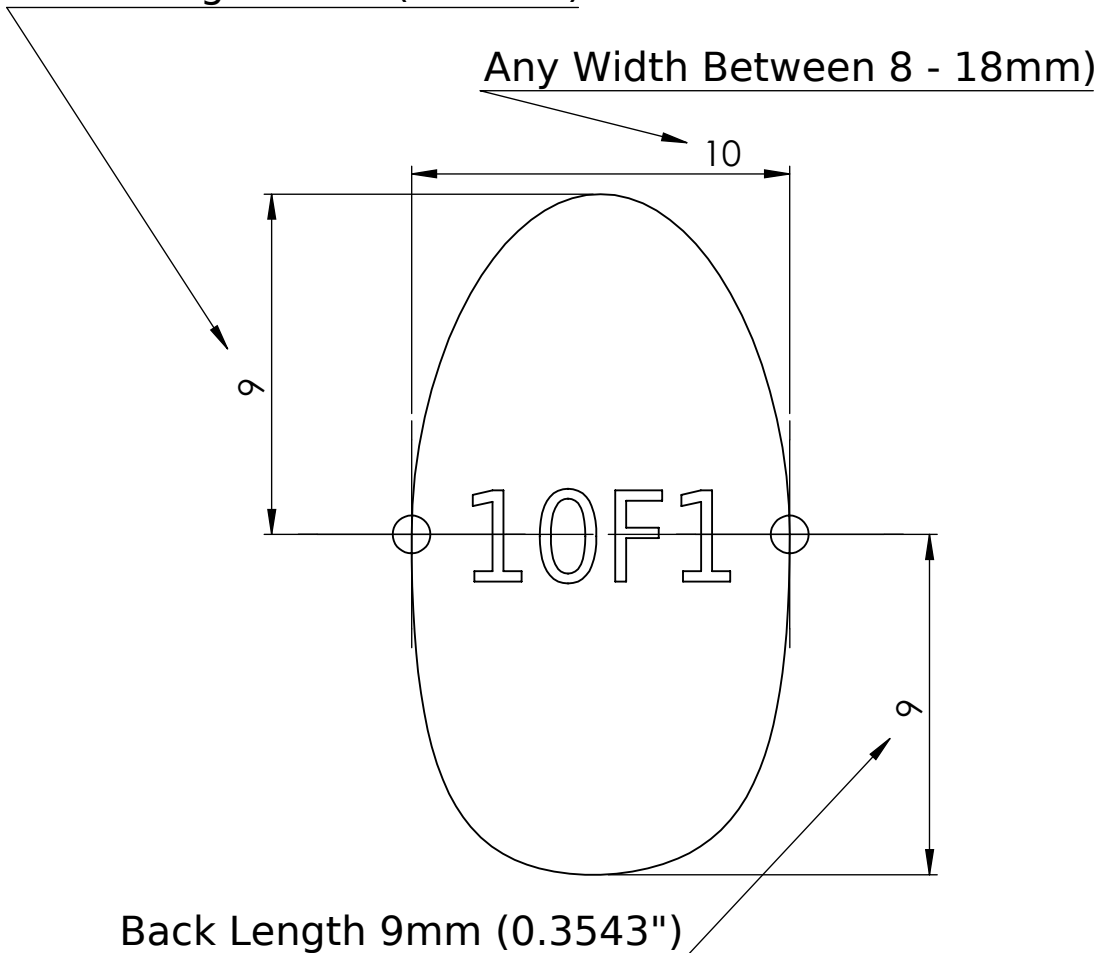
Back Length: 9mm

Total Pocket Length: 18mm

Width: 8 - 18mm

Front Length 9mm (0.3543")

Any Width Between 8 - 18mm)



Back Length 9mm (0.3543")

- This is the shape of the pocket that your nail fits into
- The Dots are the points on each side of your nail where it first leaves the nail bed and starts to overhang
- The Pick will ramp onto your nail and stop at these Dots
- The outside of the pick is 1.5mm longer than the pocket on the Front End
- Ideally, the Back Length of the Pick is about 1mm longer than your nail bed so you can file the pick to match